



SOUNDWELL®

http://soundwell-cn.com

# ES16 Series ENCODER

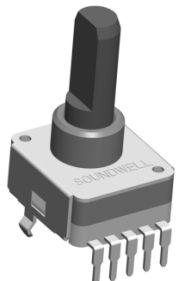
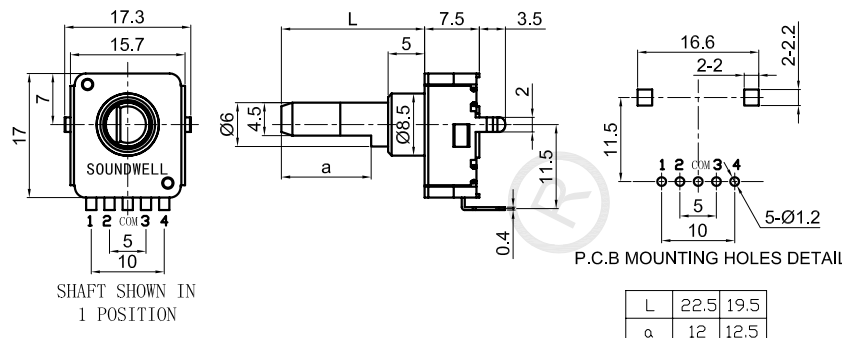


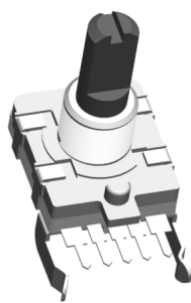
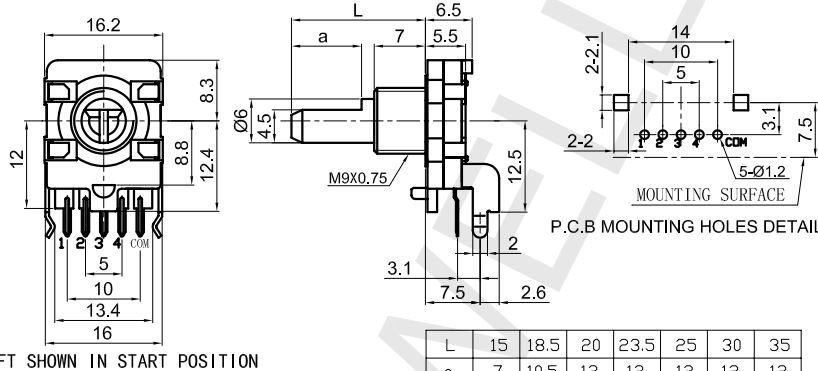
企业微信，扫码有惊喜


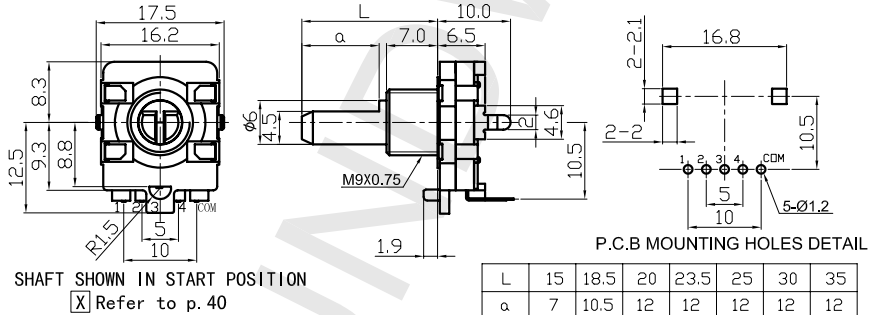


升威官网，发现更多产品

MODEL 品名	DIMENSIONS 尺寸	UNIT:mm
----------	---------------	---------

<b>ES160201A0A-HA1</b> 	 <p>SHAFT SHOWN IN 1 POSITION</p> <table border="1"> <tr> <td>L</td> <td>22.5</td> <td>19.5</td> </tr> <tr> <td>a</td> <td>12</td> <td>12.5</td> </tr> </table>	L	22.5	19.5	a	12	12.5
L	22.5	19.5					
a	12	12.5					

<b>ES162102E A-VA1</b> 	 <p>SHAFT SHOWN IN START POSITION  <input checked="" type="checkbox"/> Refer to p.40</p> <table border="1"> <tr> <td>L</td> <td>15</td> <td>18.5</td> <td>20</td> <td>23.5</td> <td>25</td> <td>30</td> <td>35</td> </tr> <tr> <td>a</td> <td>7</td> <td>10.5</td> <td>12</td> <td>12</td> <td>12</td> <td>12</td> <td>12</td> </tr> </table>	L	15	18.5	20	23.5	25	30	35	a	7	10.5	12	12	12	12	12
L	15	18.5	20	23.5	25	30	35										
a	7	10.5	12	12	12	12	12										

<b>ES162102E B-HA1</b> 	 <p>SHAFT SHOWN IN START POSITION  <input checked="" type="checkbox"/> Refer to p.40</p> <table border="1"> <tr> <td>L</td> <td>15</td> <td>18.5</td> <td>20</td> <td>23.5</td> <td>25</td> <td>30</td> <td>35</td> </tr> <tr> <td>a</td> <td>7</td> <td>10.5</td> <td>12</td> <td>12</td> <td>12</td> <td>12</td> <td>12</td> </tr> </table>	L	15	18.5	20	23.5	25	30	35	a	7	10.5	12	12	12	12	12
L	15	18.5	20	23.5	25	30	35										
a	7	10.5	12	12	12	12	12										

Series 系列	Resolution 分解能力	Detent 定位	Output Signal Form 输出信号形式																																																																																									
ES16	12P	12	C.W → <input checked="" type="checkbox"/> <table border="1"> <tr> <th>TERM</th> <th>POS</th> <th>1</th> <th>2</th> <th>3</th> <th>4</th> <th>5</th> <th>6</th> <th>7</th> <th>8</th> <th>9</th> <th>10</th> <th>11</th> <th>12</th> </tr> <tr> <td>①</td> <td></td> <td>0</td> <td>1</td> <td>1</td> <td>1</td> <td>1</td> <td>0</td> <td>0</td> <td>0</td> <td>0</td> <td>0</td> <td>0</td> <td>0</td> </tr> <tr> <td>②</td> <td></td> <td>1</td> <td>1</td> <td>0</td> <td>0</td> <td>1</td> <td>1</td> <td>1</td> <td>1</td> <td>0</td> <td>0</td> <td>0</td> <td>0</td> </tr> <tr> <td>③</td> <td></td> <td>0</td> <td>0</td> <td>0</td> <td>1</td> <td>1</td> <td>1</td> <td>1</td> <td>0</td> <td>0</td> <td>1</td> <td>1</td> <td>0</td> </tr> <tr> <td>④</td> <td></td> <td>0</td> <td>0</td> <td>0</td> <td>0</td> <td>0</td> <td>0</td> <td>1</td> <td>1</td> <td>1</td> <td>1</td> <td>1</td> <td>0</td> </tr> </table>	TERM	POS	1	2	3	4	5	6	7	8	9	10	11	12	①		0	1	1	1	1	0	0	0	0	0	0	0	②		1	1	0	0	1	1	1	1	0	0	0	0	③		0	0	0	1	1	1	1	0	0	1	1	0	④		0	0	0	0	0	0	1	1	1	1	1	0																			
	TERM	POS	1	2	3	4	5	6	7	8	9	10	11	12																																																																														
	①		0	1	1	1	1	0	0	0	0	0	0	0																																																																														
	②		1	1	0	0	1	1	1	1	0	0	0	0																																																																														
③		0	0	0	1	1	1	1	0	0	1	1	0																																																																															
④		0	0	0	0	0	0	1	1	1	1	1	0																																																																															
16P	16	C.W → <input checked="" type="checkbox"/> =0 <table border="1"> <tr> <th>TERM</th> <th>POS</th> <th>1</th> <th>2</th> <th>3</th> <th>4</th> <th>5</th> <th>6</th> <th>7</th> <th>8</th> <th>9</th> <th>10</th> <th>11</th> <th>12</th> <th>13</th> <th>14</th> <th>15</th> <th>16</th> </tr> <tr> <td>①</td> <td></td> <td>0</td> <td>1</td> <td>1</td> <td>0</td> <td>0</td> <td>1</td> <td>1</td> <td>0</td> <td>0</td> <td>1</td> <td>1</td> <td>0</td> <td>0</td> <td>1</td> <td>1</td> <td>0</td> </tr> <tr> <td>②</td> <td></td> <td>0</td> <td>0</td> <td>1</td> <td>1</td> <td>1</td> <td>1</td> <td>0</td> <td>0</td> <td>0</td> <td>0</td> <td>1</td> <td>1</td> <td>1</td> <td>1</td> <td>0</td> <td>0</td> </tr> <tr> <td>③</td> <td></td> <td>0</td> <td>0</td> <td>0</td> <td>0</td> <td>1</td> <td>1</td> <td>1</td> <td>1</td> <td>1</td> <td>1</td> <td>1</td> <td>1</td> <td>0</td> <td>0</td> <td>0</td> <td>0</td> </tr> <tr> <td>④</td> <td></td> <td>0</td> <td>0</td> <td>0</td> <td>0</td> <td>0</td> <td>0</td> <td>0</td> <td>1</td> <td>1</td> <td>1</td> <td>1</td> <td>1</td> <td>1</td> <td>1</td> <td>1</td> <td>1</td> </tr> </table>	TERM	POS	1	2	3	4	5	6	7	8	9	10	11	12	13	14	15	16	①		0	1	1	0	0	1	1	0	0	1	1	0	0	1	1	0	②		0	0	1	1	1	1	0	0	0	0	1	1	1	1	0	0	③		0	0	0	0	1	1	1	1	1	1	1	1	0	0	0	0	④		0	0	0	0	0	0	0	1	1	1	1	1	1	1	1	1
TERM	POS	1	2	3	4	5	6	7	8	9	10	11	12	13	14	15	16																																																																											
①		0	1	1	0	0	1	1	0	0	1	1	0	0	1	1	0																																																																											
②		0	0	1	1	1	1	0	0	0	0	1	1	1	1	0	0																																																																											
③		0	0	0	0	1	1	1	1	1	1	1	1	0	0	0	0																																																																											
④		0	0	0	0	0	0	0	1	1	1	1	1	1	1	1	1																																																																											
16P	16	C.W → <input checked="" type="checkbox"/> =1 <table border="1"> <tr> <th>TERM</th> <th>POS</th> <th>1</th> <th>2</th> <th>3</th> <th>4</th> <th>5</th> <th>6</th> <th>7</th> <th>8</th> <th>9</th> <th>10</th> <th>11</th> <th>12</th> <th>13</th> <th>14</th> <th>15</th> <th>16</th> </tr> <tr> <td>①</td> <td></td> <td>0</td> <td>0</td> <td>0</td> <td>0</td> <td>0</td> <td>0</td> <td>0</td> <td>0</td> <td>1</td> <td>1</td> <td>1</td> <td>1</td> <td>1</td> <td>1</td> <td>1</td> <td>1</td> </tr> <tr> <td>②</td> <td></td> <td>0</td> <td>0</td> <td>0</td> <td>0</td> <td>1</td> <td>1</td> <td>1</td> <td>1</td> <td>1</td> <td>1</td> <td>1</td> <td>1</td> <td>0</td> <td>0</td> <td>0</td> <td>0</td> </tr> <tr> <td>③</td> <td></td> <td>0</td> <td>0</td> <td>1</td> <td>1</td> <td>1</td> <td>1</td> <td>0</td> <td>0</td> <td>0</td> <td>0</td> <td>1</td> <td>1</td> <td>1</td> <td>1</td> <td>0</td> <td>0</td> </tr> <tr> <td>④</td> <td></td> <td>0</td> <td>1</td> <td>1</td> <td>0</td> <td>0</td> <td>1</td> <td>1</td> <td>0</td> <td>0</td> <td>1</td> <td>1</td> <td>0</td> <td>0</td> <td>1</td> <td>1</td> <td>0</td> </tr> </table>	TERM	POS	1	2	3	4	5	6	7	8	9	10	11	12	13	14	15	16	①		0	0	0	0	0	0	0	0	1	1	1	1	1	1	1	1	②		0	0	0	0	1	1	1	1	1	1	1	1	0	0	0	0	③		0	0	1	1	1	1	0	0	0	0	1	1	1	1	0	0	④		0	1	1	0	0	1	1	0	0	1	1	0	0	1	1	0
TERM	POS	1	2	3	4	5	6	7	8	9	10	11	12	13	14	15	16																																																																											
①		0	0	0	0	0	0	0	0	1	1	1	1	1	1	1	1																																																																											
②		0	0	0	0	1	1	1	1	1	1	1	1	0	0	0	0																																																																											
③		0	0	1	1	1	1	0	0	0	0	1	1	1	1	0	0																																																																											
④		0	1	1	0	0	1	1	0	0	1	1	0	0	1	1	0																																																																											
16P	16	C.W → <input checked="" type="checkbox"/> =2 <table border="1"> <tr> <th>TERM</th> <th>POS</th> <th>1</th> <th>2</th> <th>3</th> <th>4</th> <th>5</th> <th>6</th> <th>7</th> <th>8</th> <th>9</th> <th>10</th> <th>11</th> <th>12</th> <th>13</th> <th>14</th> <th>15</th> <th>16</th> </tr> <tr> <td>①</td> <td></td> <td>0</td> <td>1</td> <td>0</td> <td>1</td> <td>0</td> <td>1</td> <td>0</td> <td>1</td> <td>0</td> <td>1</td> <td>0</td> <td>1</td> <td>0</td> <td>1</td> <td>0</td> <td>1</td> </tr> <tr> <td>②</td> <td></td> <td>0</td> <td>0</td> <td>1</td> <td>1</td> <td>0</td> <td>0</td> <td>1</td> <td>1</td> <td>0</td> <td>0</td> <td>1</td> <td>1</td> <td>0</td> <td>0</td> <td>1</td> <td>1</td> </tr> <tr> <td>③</td> <td></td> <td>0</td> <td>0</td> <td>0</td> <td>0</td> <td>1</td> <td>1</td> <td>1</td> <td>1</td> <td>0</td> <td>0</td> <td>0</td> <td>0</td> <td>1</td> <td>1</td> <td>1</td> <td>1</td> </tr> <tr> <td>④</td> <td></td> <td>0</td> <td>0</td> <td>0</td> <td>0</td> <td>0</td> <td>0</td> <td>0</td> <td>0</td> <td>1</td> <td>1</td> <td>1</td> <td>1</td> <td>1</td> <td>1</td> <td>1</td> <td>1</td> </tr> </table>	TERM	POS	1	2	3	4	5	6	7	8	9	10	11	12	13	14	15	16	①		0	1	0	1	0	1	0	1	0	1	0	1	0	1	0	1	②		0	0	1	1	0	0	1	1	0	0	1	1	0	0	1	1	③		0	0	0	0	1	1	1	1	0	0	0	0	1	1	1	1	④		0	0	0	0	0	0	0	0	1	1	1	1	1	1	1	1
TERM	POS	1	2	3	4	5	6	7	8	9	10	11	12	13	14	15	16																																																																											
①		0	1	0	1	0	1	0	1	0	1	0	1	0	1	0	1																																																																											
②		0	0	1	1	0	0	1	1	0	0	1	1	0	0	1	1																																																																											
③		0	0	0	0	1	1	1	1	0	0	0	0	1	1	1	1																																																																											
④		0	0	0	0	0	0	0	0	1	1	1	1	1	1	1	1																																																																											